

# Installation, Operation and Maintenance Manual

## RV Water Guard 2-Stage Multipurpose Filtration System

### Model PWSYS-FLT-STD2-WG

# PURE WATER

### Important

Please read the entire manual before proceeding with the installation and startup. Your failure to follow any attached instructions or operating parameters may lead to the product's failure.

Save manual for future reference.



PWSYS-FLT-STD2-WG

### Table of Contents

System Specifications . . . . .	2
Operation . . . . .	3
Installation . . . . .	3
Maintenance . . . . .	3
Replacement Parts List . . . . .	3
Limited Warranty . . . . .	4

**Note:** Do not use with water that is microbiologically unsafe or of unknown quality without adequate disinfection before or after the system.



# System Specifications

Maximum Pressure: 85psi/8.6 bar  
Maximum Temperature: 100°F/38°C  
Inlet/Outlet Connections: ½" FNPT  
Maximum Flow Rate: 2 GPM

## Filter Cartridge Life Span

Cartridges should be changed at least every 6 months or sooner depending on incoming water quality.

## Replacement Filter Pack

MODEL	FREQUENCY	DESCRIPTION
PWFIL-2PACK-STD-WG/ZW	6 Months	includes sediment and carbon filter

**Note:** Water conditions may require more frequent cartridge replacement

## Notice to Installer

- Do not discard this manual after installation. This manual contains important operation, maintenance and precautionary information. Please present this manual to the user/owner/operator after installation.
- It is strongly suggested that you read this manual before installing system to ensure the best possible installation.
- Installation must comply with all local and state plumbing codes and regulations.
- Connect the system to cold water supply only. Water Temperature cannot exceed 100°F (38°C).
- System must be installed in a vertical, upright and level position.
- Do not use with water that is microbiologically unsafe or of unknown water quality.
- Notice to user/owner/operator: Please retain this manual for a future reference for parts, maintenance, or troubleshooting.
- It is recommended that all personnel responsible for operation and maintenance of this product read the precautions, maintenance, and operations section of this manual.

## Installation Precautions

- Do not install system on line pressure above 85psi, if water pressure is over 85psi (8.6 bar). Watts recommends the installation of a Watts Pressure Regulator.
- Do not install the system on a hot water line. Failure to limit the water temperature to 100°F (38°C) can result in housing failure and property damage.
- Do not connect the system backwards with the feed water line connected to the outlet.
- Do not use liquid pipe thread compounds for threaded connections. Use Teflon® tape only.
- Do not allow the system to freeze. Turn off water supply and drain the system if temperature falls below 32°F (0°C).
- Do not install system in direct sunlight or where the system will be exposed to harsh chemicals or may be subjected to being hit by moving equipment, carts, mops, or any other item that may cause damage.
- Allow 3" minimum clearance under the housings for filter replacement.
- If water hammer is evident, install water hammer arrestors before the system.
- Do not over tighten fitting connections.
- Always back up fittings with a wrench when installing fittings to avoid over tightening or loosening existing fittings.
- Do not install the unit behind equipment where it may be difficult to access the system for future filter replacements.

Position the system in a suitable location. The direction of flow through the system is left to right. Keep this in mind when determining installation locations. Do not mount the system near any source of heat. Also do not mount this system over anything that may be adversely affected by water.

## Operation

With sufficient pressure, operation of this system is completely automatic. Dependable operation involves only monitoring system pressure differential, periodic filter changes, and service documentation.

## Installation

**\*Please note: All cartridge filters are preinstalled in the housings at the factory.**

1. Turn off all equipment to be fed by the system, locate the water supply cut-off valve to your home or RV and turn it off.
2. Thread the inlet and outlet fittings into the inlet and outlet of the system. **NOTE: DO NOT OVER TIGHTEN THESE FITTINGS INTO THE FILTER HEADS.**
3. Anchor the system on a wall stud or suitable mounting material spanning wall studs. System must be vertical, upright and level.
4. Run a suitable line of at least 1/2" in diameter from the tap water source to the inlet on the left side of the system. **NOTE: DO NOT OVERTIGHTEN CONNECTION FITTING INTO SYSTEM.**
6. Select the appropriate size tubing for the equipment being fed and connect it to the outlet fitting of the system. **NOTE: DO NOT OVERTIGHTEN CONNECTION FITTING INTO SYSTEM.**
7. Once all inlet and outlet piping has been completed check and make sure all filter housings are tight. Slowly open the inlet valve to house or RV and allow the system to reach operating pressure, and check for leaks.
8. Record the start up date for future filter replacements.

**Note: Overtightening components can damage the system causing water damage and/or system failure.**

## Maintenance

Routine maintenance of this system involves periodic filter changes. Cartridges should be changed at least every 6 months or sooner depending on incoming water quality.

### Filter Cartridge Replacement Procedure

**IMPORTANT: Determine whether all equipment connected to the system must be turned off prior to shutting off water supply from filters.**

1. If required, turn off downstream equipment.
2. Turn OFF water supply to the system and open faucet to relieve pressure.
3. Starting with the housing on the left, unscrew housing by turning counterclockwise. Remove and discard spent filter and drain water that remains in the bowl. The sediment filter has a cloth like appearance. It must be in the 1st housing on the left where water inlet connects. Continue on to the 2nd housing, the Carbon Block filter has a mesh covering and a white rubber gasket on each end.
4. Clean inside of housing sump with warm water. If desired, disinfect housing using a teaspoon of household bleach. Add to filter bowl and fill with water. Let stand 5 minutes and then discard and rinse.
5. Insert new cartridges into filter housings, making sure filters are installed from left to right, sediment filter then carbon block filter.

**Do not over-tighten filter housing, overtightening may damage O-ring(s), cause water leaks, or affect system performance.**

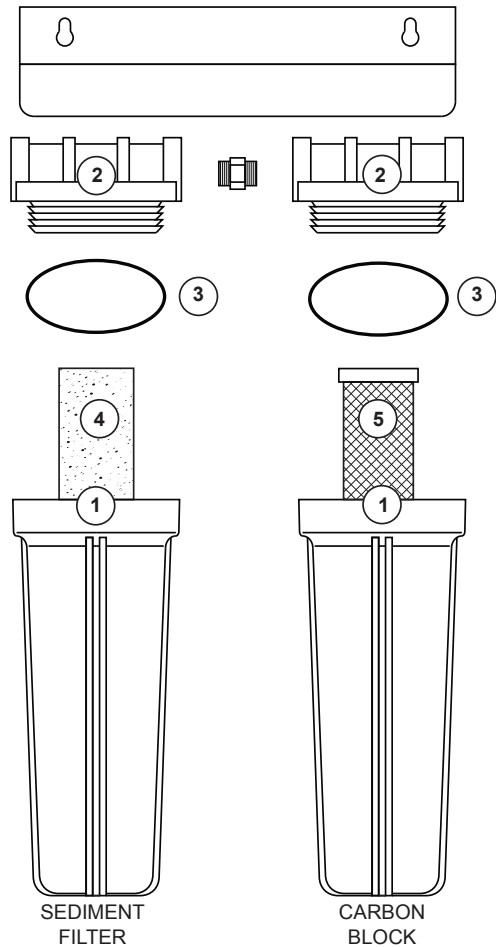
6. Lubricate O-ring using only a water based lube such as K-Y or vegetable/Olive oil. Make certain the O-ring is properly positioned and reinstall filter housings. Tighten housings hand tight. Check O-ring for damage and replace if damaged or distorted.
7. Slowly turn on water supply to restore water flow to water system and check for any leaks.
8. Record filter change date in this manual.

### Winter Shut-Down Procedures

The following procedure is recommended if you are winterizing your RV or will not be using your RV for an extended period of time (longer than a month).

**Important: Filter housings will break if water is left in them in freezing weather conditions**

1. Shut off the water supply to the filter system. If you are draining your fresh water holding tank, this will stop the water supply into the filter system.
2. Drain the water from the system.
3. Remove both filter housings by rotating counterclockwise.
4. Slide out old filters and discard. "O-rings" should be saved for future use.
5. Filter housing should be left unscrewed from the lids to insure no cracking due to freezing weather conditions.
6. Follow Filter Cartridge Replacement Procedure when you are ready to use system again.



## Replacement Parts List

ITEM	EDP	DESCRIPTION
1	7300044	FILTER HOUSING - BOWL - 10" - WHITE
2	7300045	FILTER HOUSING - LID - 1/2" PORTS
3	7300060	O-RINGS FOR FILTER HOUSING
4	7100331	SEDIMENT FILTER
5	7100446	CARBON BLOCK FILTER

### CALIFORNIA PROPOSITION 65 WARNING

**WARNING:** This product contains chemicals known to the State of California to cause cancer and birth defects or other reproductive harm. (California law requires this warning to be given to customers in the State of California.)

For more information: [www.watts.com/prop65](http://www.watts.com/prop65)

**LIMITED WARRANTY:** Certain Watts Pure Water products come with a limited warranty from Watts Regulator Co. Other products may have no warranty or are covered by the original manufacturer's warranty only. For specific product warranty information, please visit [www.watts.com](http://www.watts.com) or the published literature that comes with your product. Any remedies stated in such warranties are exclusive and are the only remedies for breach of warranty. **EXCEPT FOR THE APPLICABLE PRODUCT WARRANTY, IF ANY, WATTS MAKES NO OTHER WARRANTIES, EXPRESS OR IMPLIED. TO THE FULLEST EXTENT PERMITTED BY APPLICABLE LAW, WATTS HEREBY SPECIFICALLY DISCLAIMS ALL OTHER WARRANTIES, EXPRESS OR IMPLIED, INCLUDING BUT NOT LIMITED TO THE IMPLIED WARRANTIES OF MERCHANTABILITY AND FITNESS FOR A PARTICULAR PURPOSE, AND IN NO EVENT SHALL WATTS BE LIABLE, IN CONTRACT, TORT, STRICT LIABILITY OR UNDER ANY OTHER LEGAL THEORY, FOR INCIDENTAL, INDIRECT, SPECIAL OR CONSEQUENTIAL DAMAGES, INCLUDING, WITHOUT LIMITATION, LOST PROFITS OR PROPERTY DAMAGE, REGARDLESS OF WHETHER IT WAS INFORMED ABOUT THE POSSIBILITY OF SUCH DAMAGES.**

# WATTS®

A Watts Water Technologies Company

USA: North Andover, MA • Tel. (800) 224-1299 • [www.watts.com](http://www.watts.com)

Canada: Burlington, ON • Tel. (888) 208-8927 • [www.wattscanada.ca](http://www.wattscanada.ca)